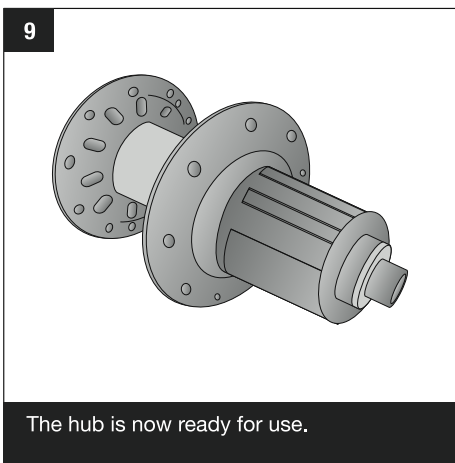
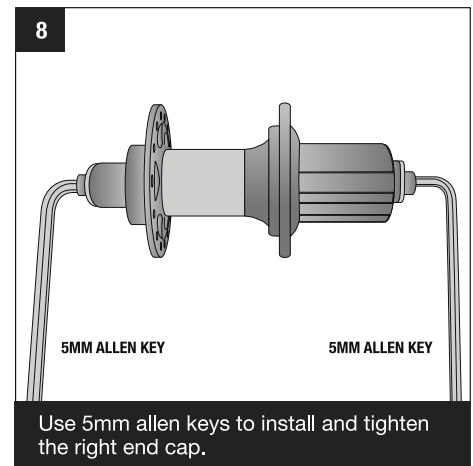
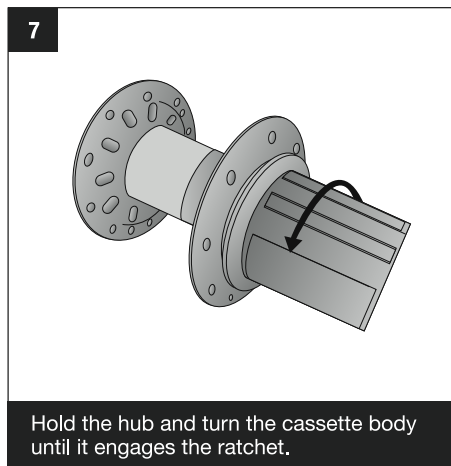
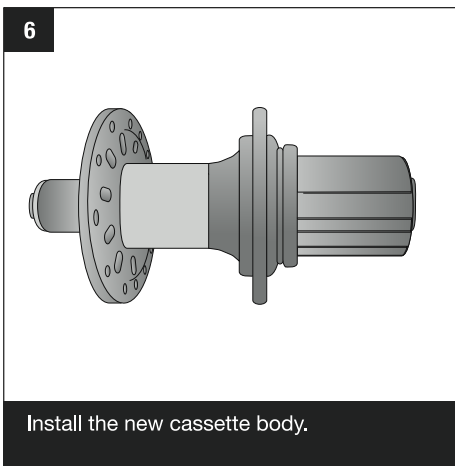
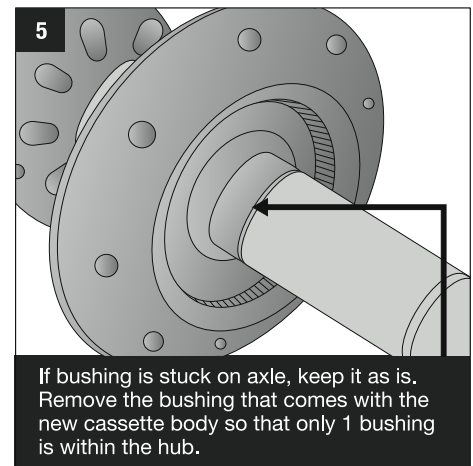
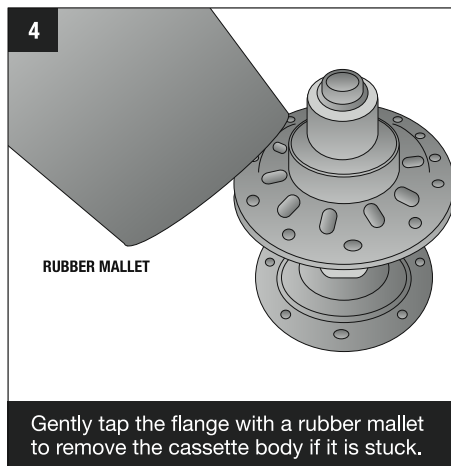
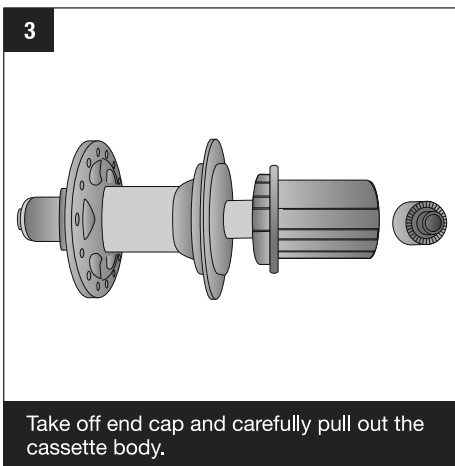
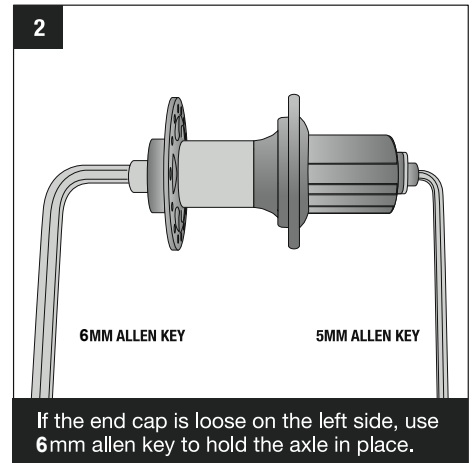
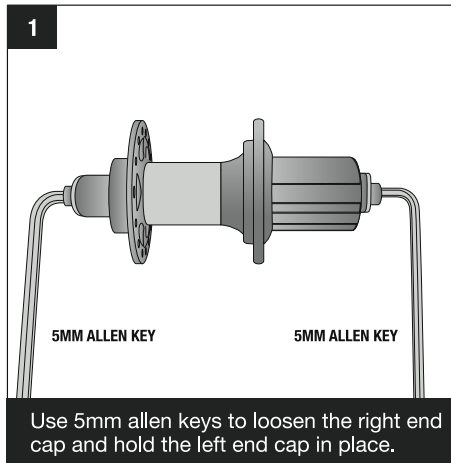


• TOOLS NEEDED:

- » 5mm allen keys (2 pcs)
- » 6mm allen key (1 pc)
- » Rubber mallet (1 pc)

• IMPORTANT NOTES:

- » While disassembling the hub, keep all loose parts on a clean surface
- » Proper re-assembly is important for rider safety
- » All repairs should be performed by a qualified bicycle mechanic



FOR MORE INFORMATION ON IRWIN PRODUCTS,
VISIT OUR WEB SITE:
WWW.IRWINCYCLING.COM