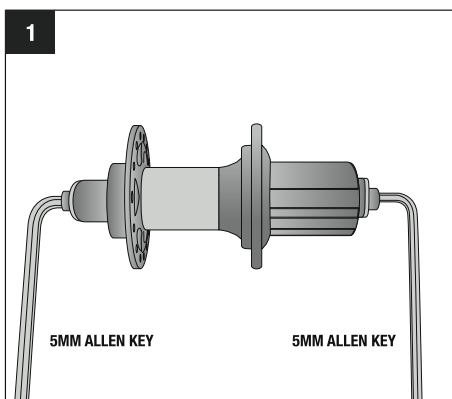


• TOOLS NEEDED:

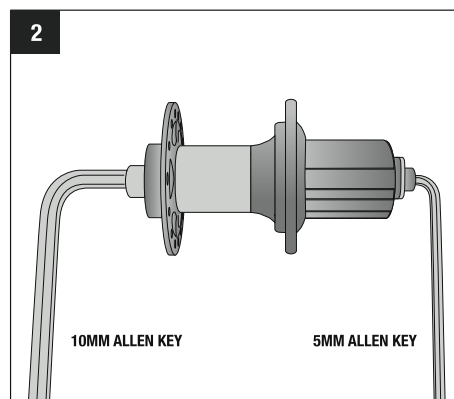
- » 5mm allen keys (2 pcs)
- » 10mm allen key (1 pc)
- » Rubber mallet (1 pc)

• IMPORTANT NOTES:

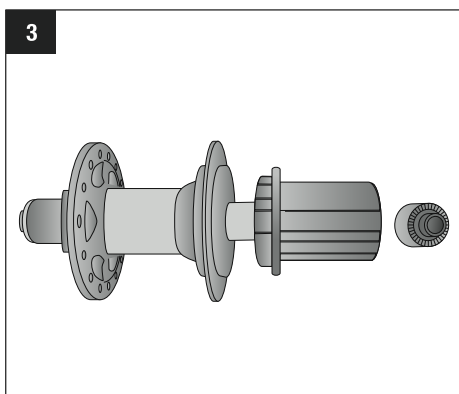
- » While disassembling the hub, keep all loose parts on a clean surface
- » Proper re-assembly is important for rider safety
- » All repairs should be performed by a qualified bicycle mechanic



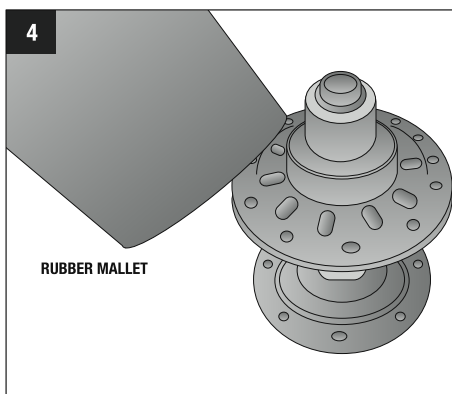
Use 5mm allen keys to loosen the right end cap and hold the left end cap in place.



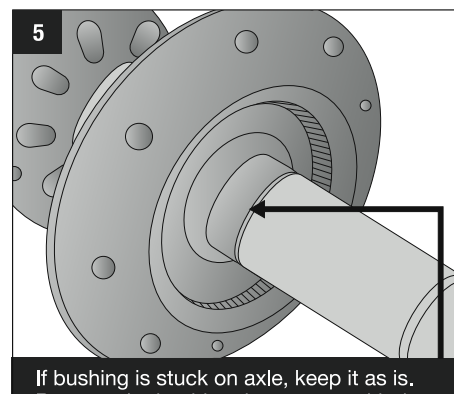
If the end cap is loose on the left side, use 10mm allen key to hold the axle in place.



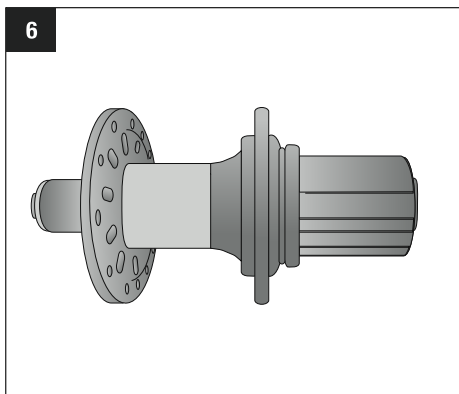
Take off end cap and carefully pull out the cassette body.



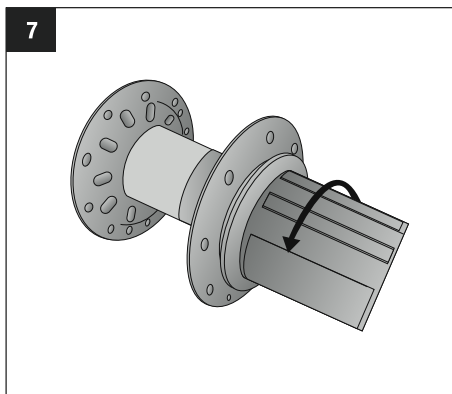
Gently tap the flange with a rubber mallet to remove the cassette body if it is stuck.



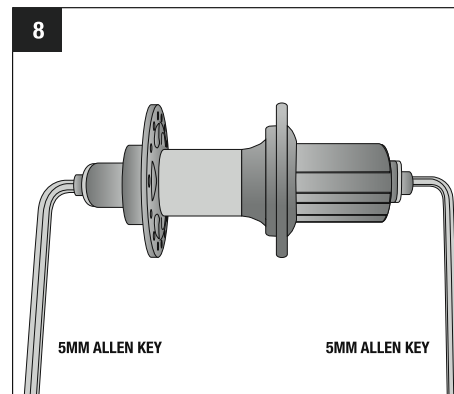
If bushing is stuck on axle, keep it as is. Remove the bushing that comes with the new cassette body so that only 1 bushing is within the hub.



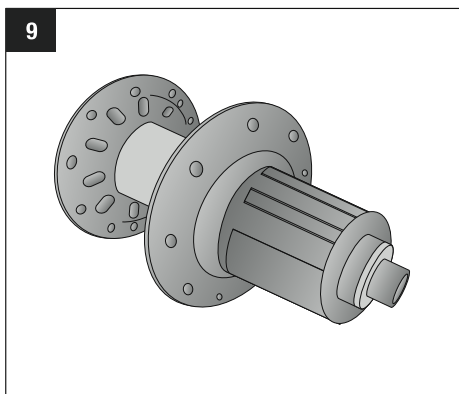
Install the new cassette body.



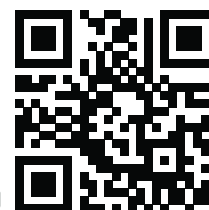
Hold the hub and turn the cassette body until it engages the ratchet.



Use 5mm allen keys to install and tighten the right end cap.



The hub is now ready for use.



FOR MORE INFORMATION ON IRWIN PRODUCTS,
VISIT OUR WEB SITE:

WWW.IRWINCYCLING.COM