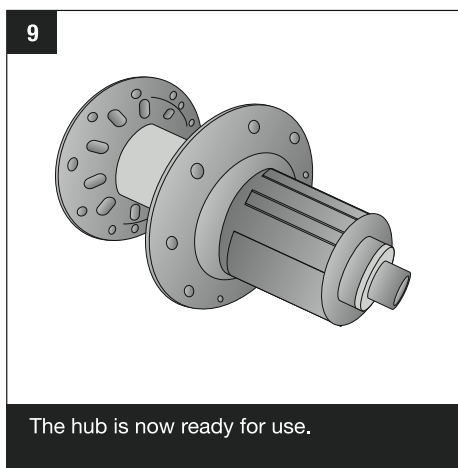
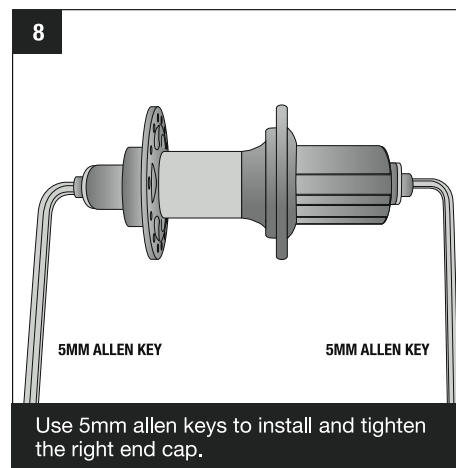
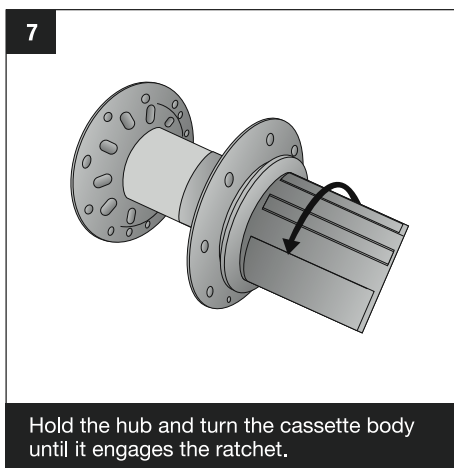
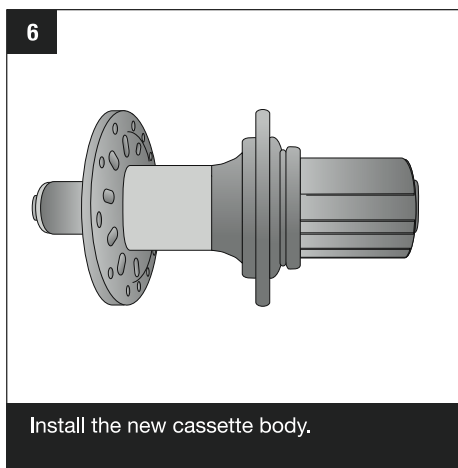
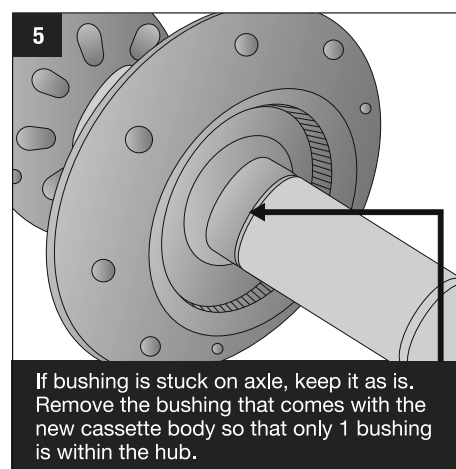
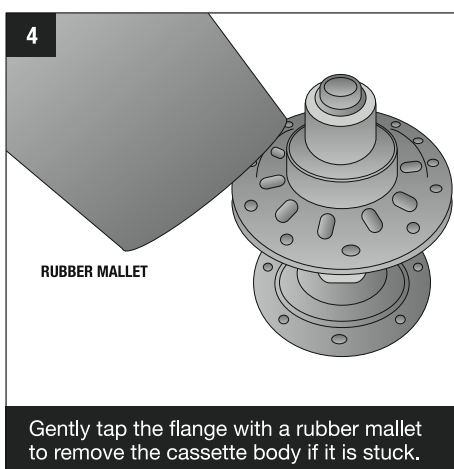
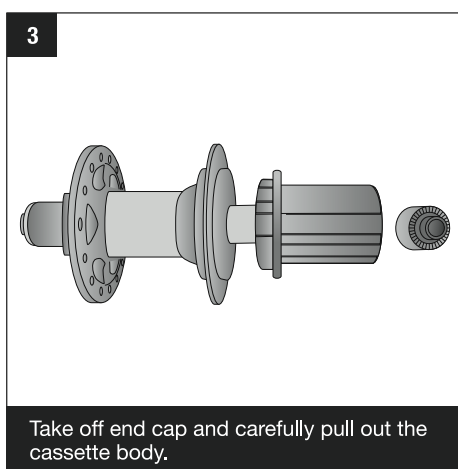
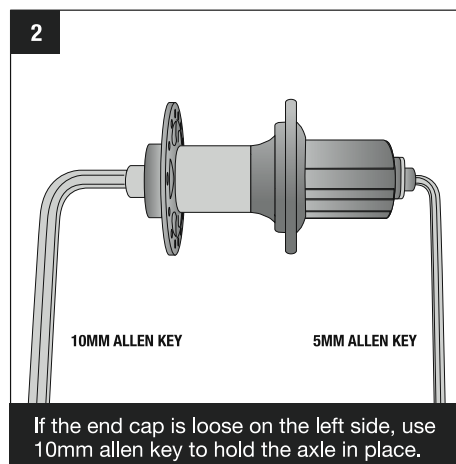
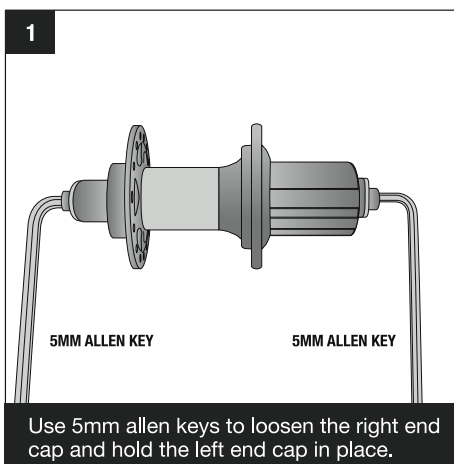


**• TOOLS NEEDED:**

- » 5mm allen keys (2 pcs)
- » 10mm allen key (1 pc)
- » Rubber mallet (1 pc)

**• IMPORTANT NOTES:**

- » While disassembling the hub, keep all loose parts on a clean surface
- » Proper re-assembly is important for rider safety
- » All repairs should be performed by a qualified bicycle mechanic



FOR MORE INFORMATION ON IRWIN PRODUCTS,  
VISIT OUR WEB SITE:  
**WWW.IRWINCYCLING.COM**